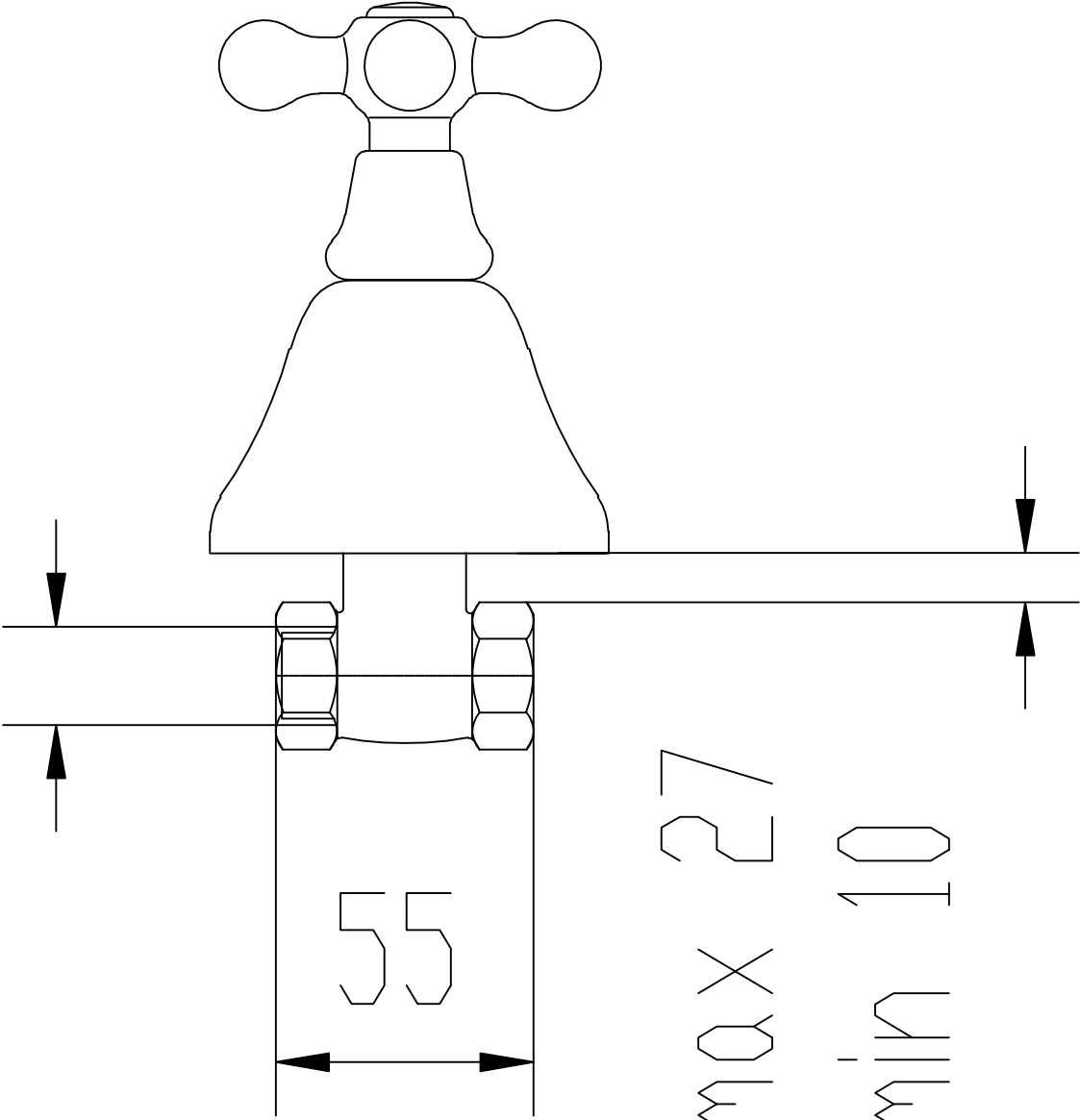


G.1/2"



55

MAX 27

MIN 10