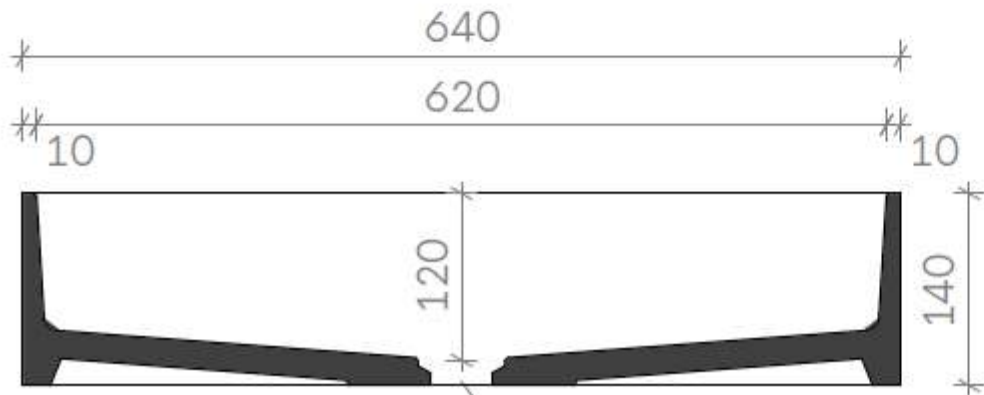
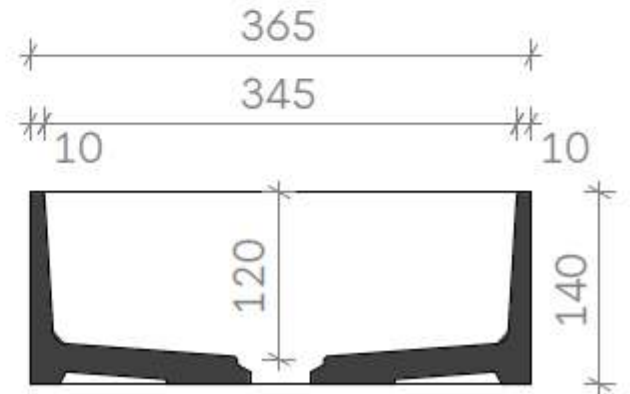


A - A



B - B



OPENING FOR CLASSICAL UNSLOTTED WASTE